

Product: drop-in Isolator

Part Number: LGL-0.8/2.1-IN-YS



Specification				
No.	Parameter	25°C	0~+60°C	Units
1	Frequency range	0.8-2.1		GHz
2	Insertion Loss	≤0.6dB	≤1.2dB;	dB
3	Isolation	≥14dB	≥12dB	dB
4	VSWR	≤1.5	≤1.7	dB
5	Impedance	50		Ω
6	Forward Power	120W/cw 60W/Re		
7	Operating Temperature Range	0~+60°C		
8	Connector	Drop-in		
9	Direction	1→2→ clockwise		

Mechanical Specifications	
Housing	Alloy
Connector	Gold plated brass
Contact:	copper
Rohs	compliant
Weight	0.15kg

Outline Drawing:

All Dimensions in mm

Tolerances : Unnoted tolerances are in class m of GB-T1804-2000

All Connectors: Drop-in

成都利德尔科技有限公司 ChengDu Leader Microwave Technology Co.,Ltd

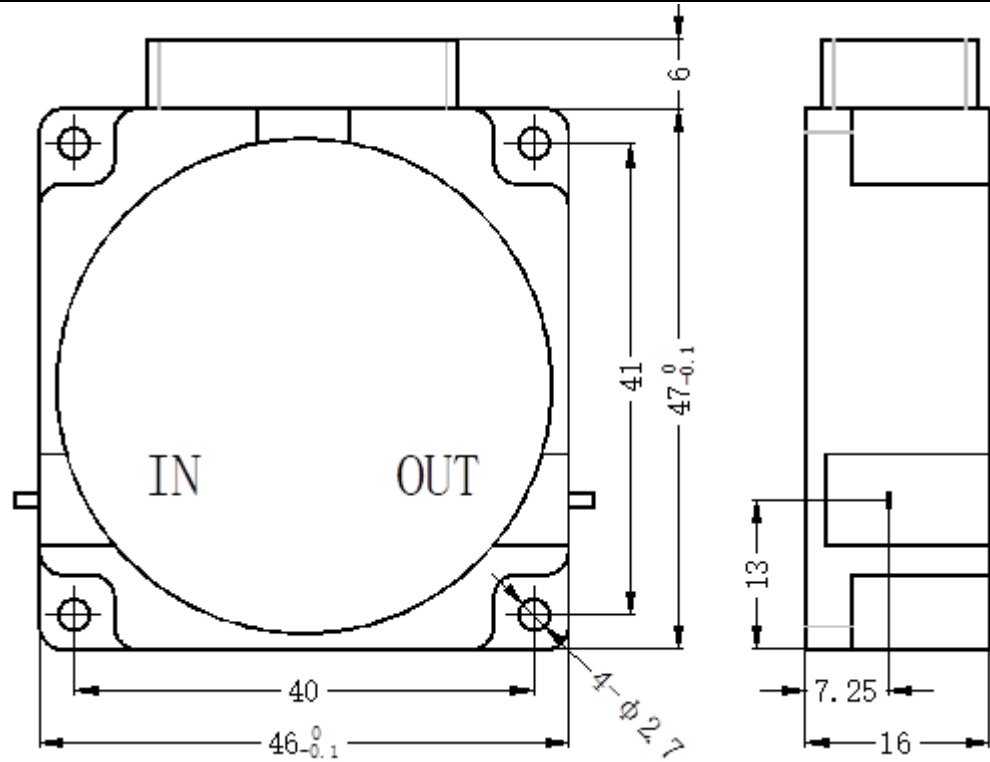
电话: 028-65199117 传真: 028-65199116

<http://www.leadermicrowave.com> sales@leader-mw.com

TEL: +86-28-65199117 FAX: +86-28-65199116

Add: 中国 成都市成华区华翰路 89 号 610000

No.89,Huahan Road, chenghua Zone Chengdu, Sichuan China Zip Code:610000



Test data

成都利德尔科技有限公司 ChengDu Leader Microwave Technology Co.,Ltd

电话: 028-65199117 传真: 028-65199116

<http://www.leadermicrowave.com> sales@leader-mw.com

TEL: +86-28-65199117 FAX: +86-28-65199116

Add: 中国 成都市成华区华翰路 89 号 610000

No.89,Huahan Road, chenghua Zone Chengdu, Sichuan China Zip Code:610000